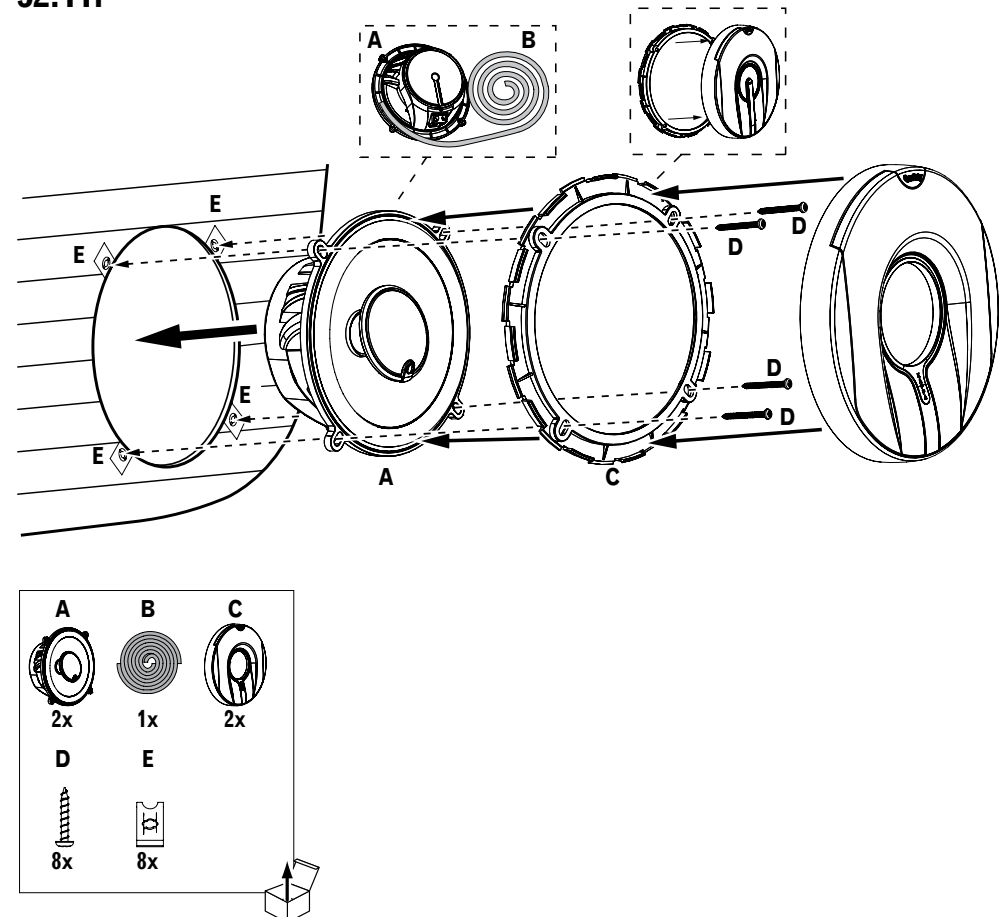
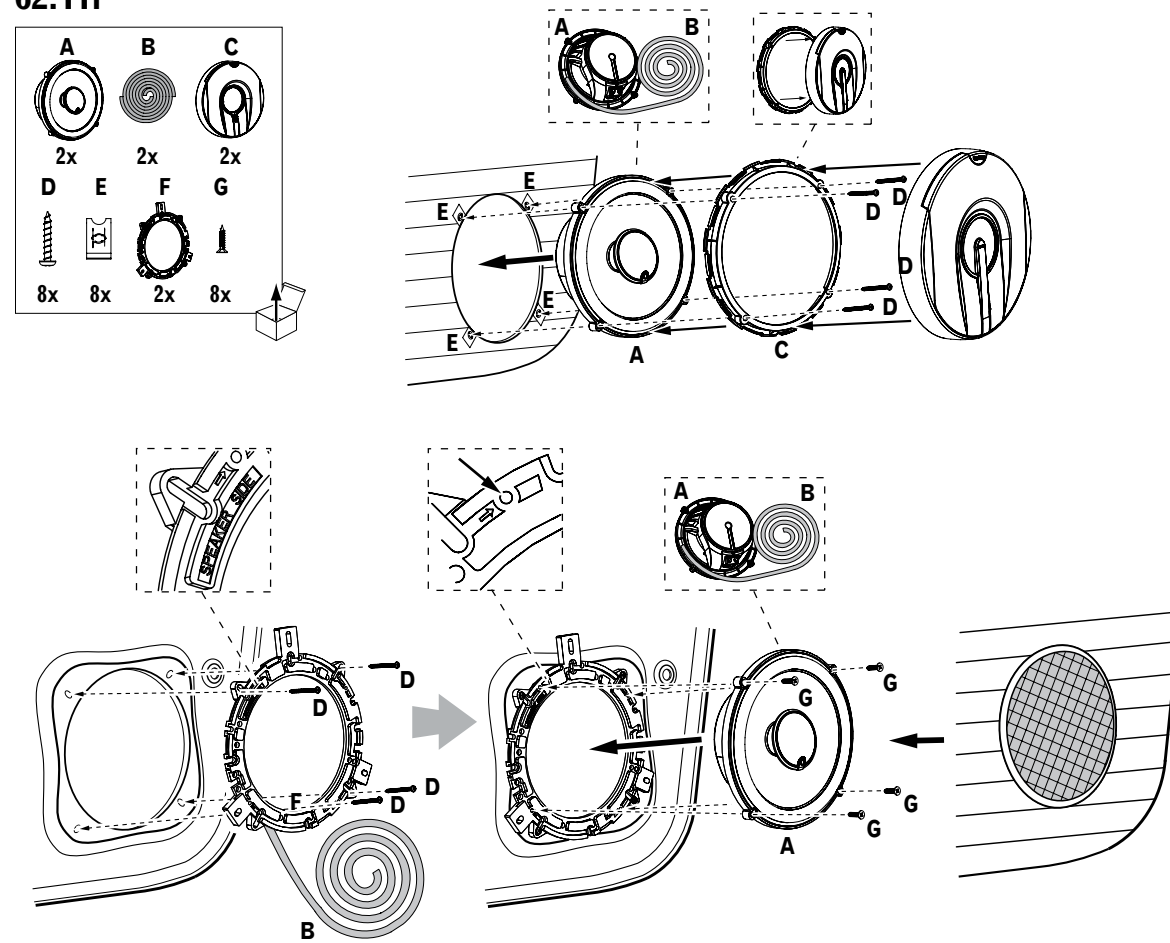


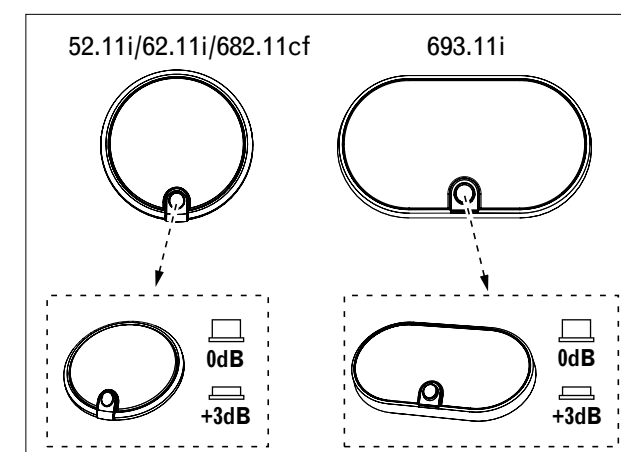
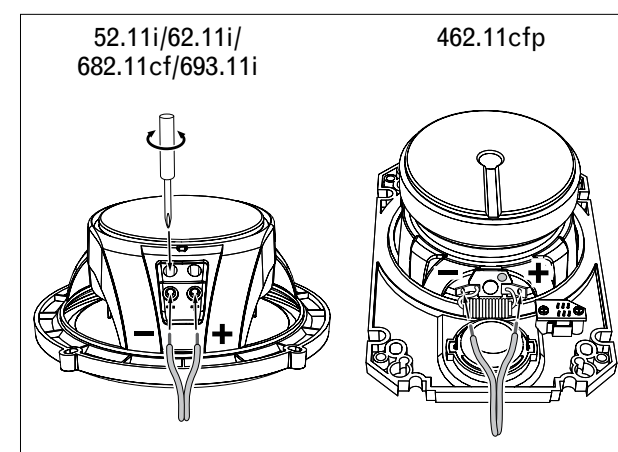
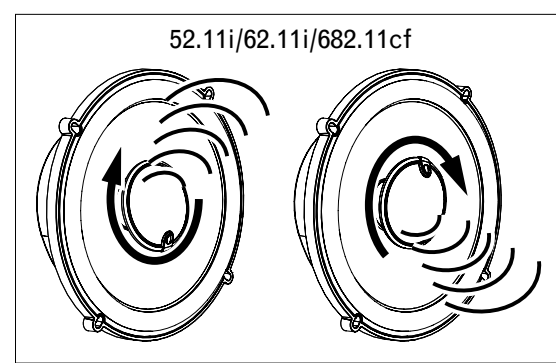
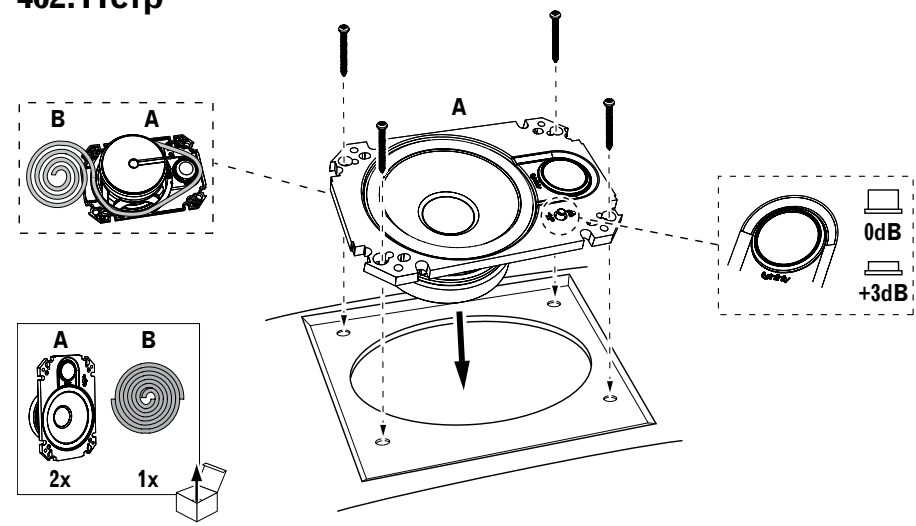
52.11i



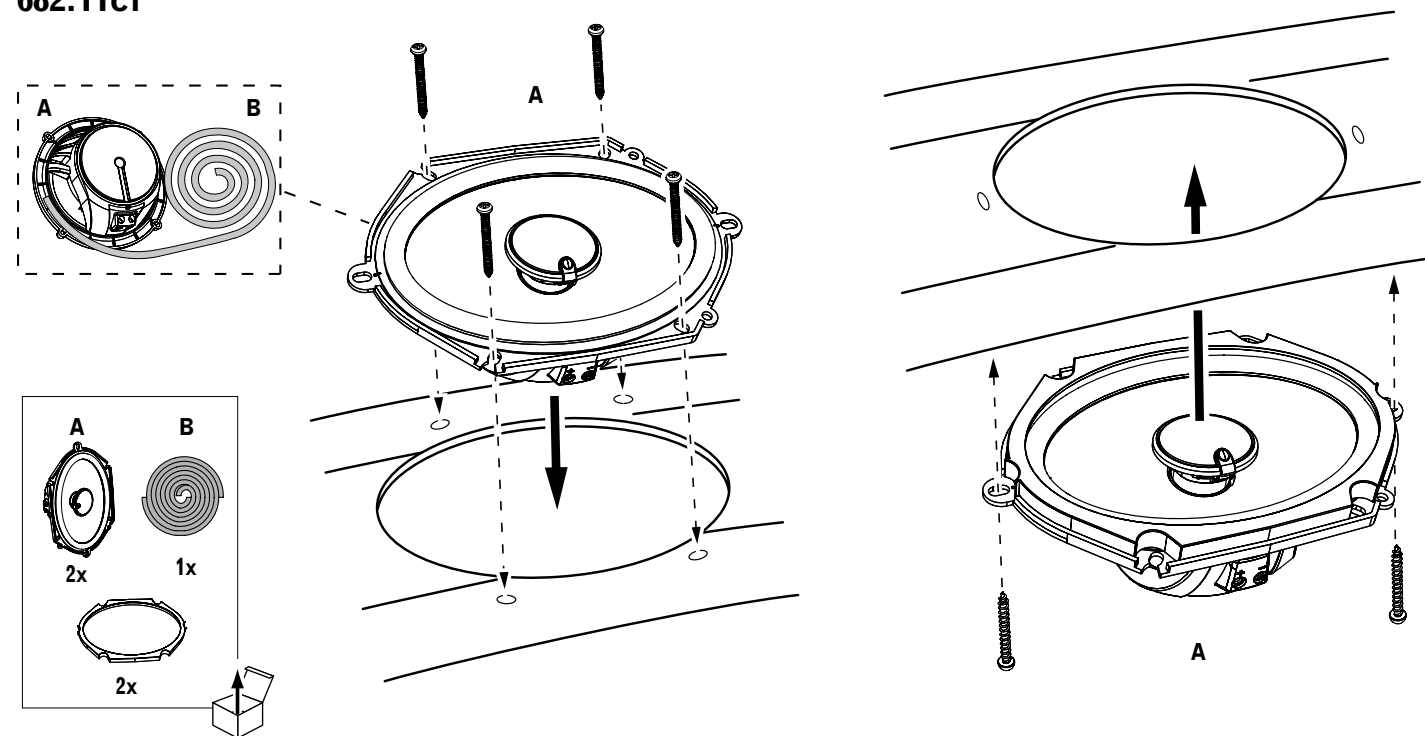
62.11i



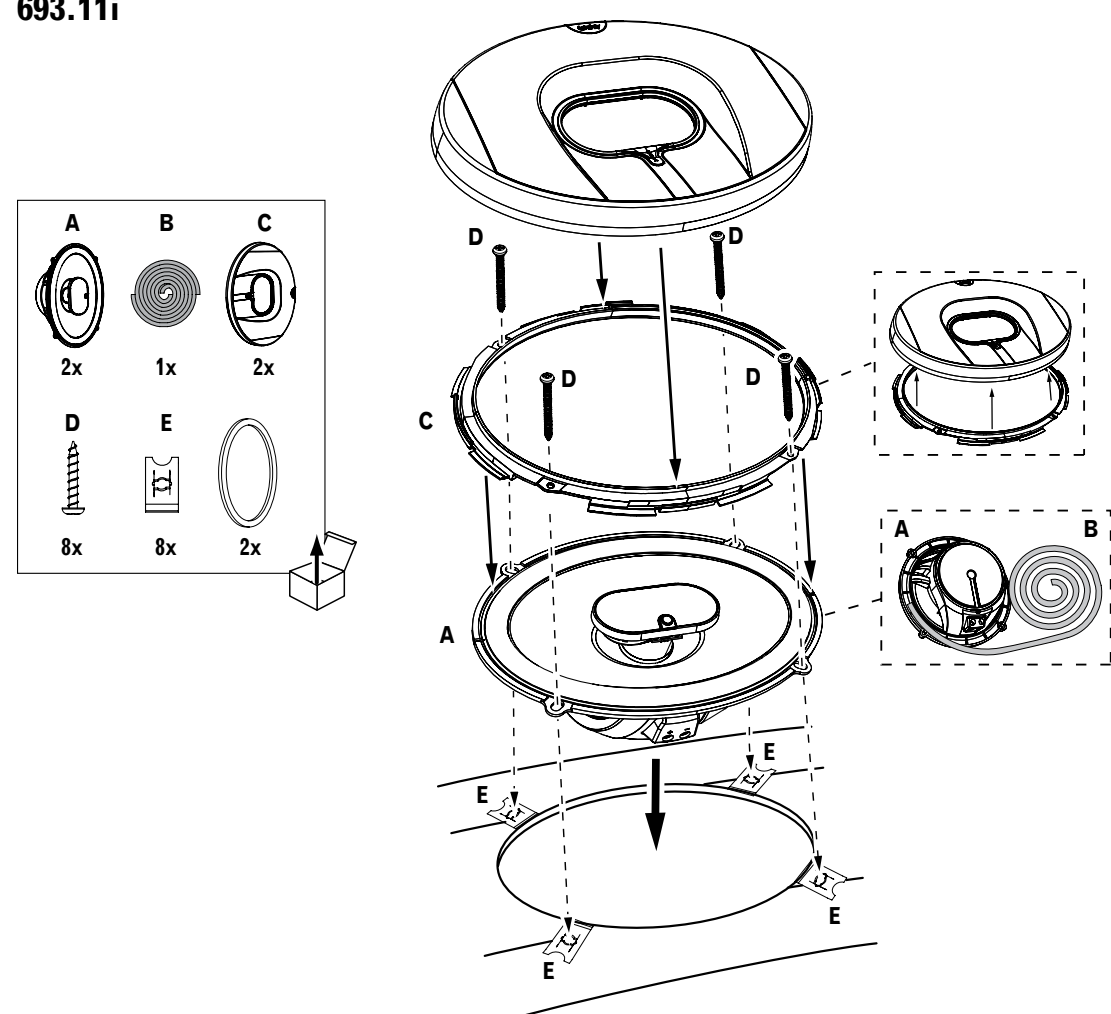
462.11cfp



682.11cf



693.11i



www.infinitysystems.com

HARMAN  
HARMAN International Industries, Incorporated  
8500 Balboa Boulevard, Northridge, CA 91329 USA  
© 2012 HARMAN International Industries, Incorporated. All rights reserved.  
Infinity is a trademark of HARMAN International Industries, Incorporated, registered in the United States and/or other countries.  
Features, specifications and appearance are subject to change without notice.  
Part No. 950-0427-001 Rev. A

**Infinity**  
by HARMAN®



**KAPPA**  
**52.11i/62.11i/462.11cfp/**  
**682.11cf/693.11i**  
OWNER'S MANUAL

